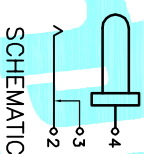
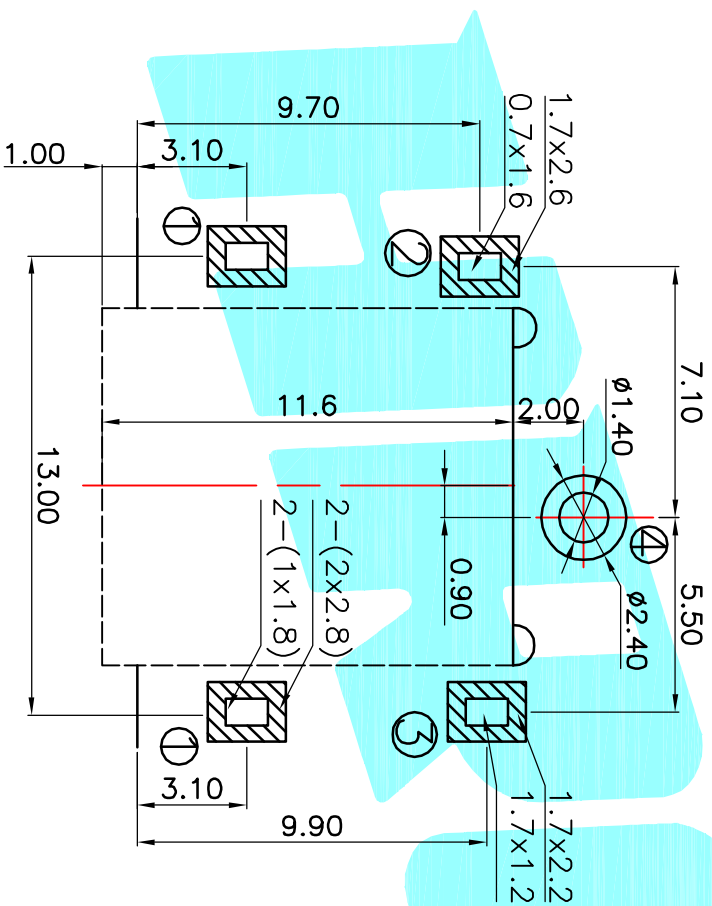


P.C.B LAYOUT TOP VIEW



PIN	Ø 1.65	Ø 2.0	Ø 2.5
APPD			

Rating:0.5A 30V DC
 Contact Resistance:100 mΩ Max.
 Operating temperature:-20℃~70℃
 Operating force:3-20N
 Operating Life:5,000cycles

② Terminal	3	Phosphor bronze	Au Plating			
① Housing	1	Nylon	Black			
ITEM	PART NAME	TERN.O.	QTY.	MATERIAL	FINISHING	REMARK
APPROVALS		DATE				
DRAWN	J.X.Zhang	2013/11/11	ELECTRONICS CO.,LTD			
CHECKED			PHONE JACKES			
APPROVALS			PART NO.	DC-028S		
TOLERANCES ARE		30 ^{±0.1}	±0.30	ANGLE	UNIT: mm	SCALE: 1:1
		10 ^{±0.20}	±0.20			
		5 ^{±0.10}	±0.15	±Z	DRAWING NO.	PROJ. SHEET 1 OF 1

ECN NO.	REV.	DATE.	DESCRIPTION.	CHANGE.	CHECK.	APPRO.
	A		NEW			