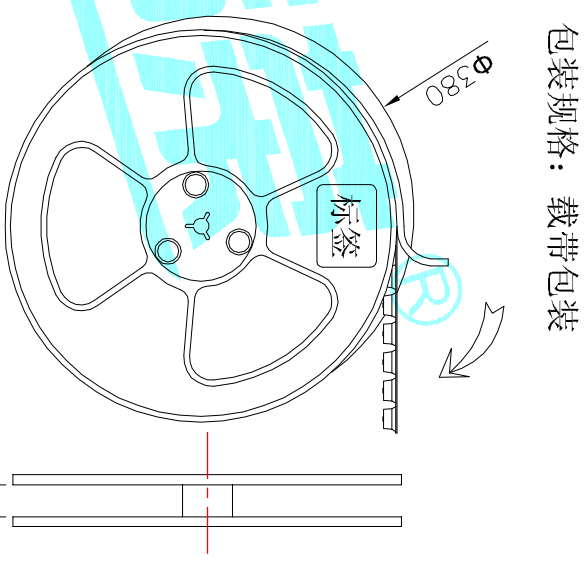
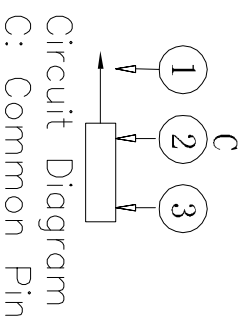


- Typical Specifications :
1. Rating : DC 4V 0.3A
  2. Life:10,000 Cycles Min.
  3. Operating force:100±100gf
  4. Travel: 1.40mm



数量 (PCS) : 5000  
1盘:

⑤	Contact Spring	—	1	Phosphor Bronze	Ag Plated	—
④	Terminal	—	3	Phosphor Bronze	Ag Plated	—
③	Base	—	1	NYLON	Black	—
②	Cover	—	1	SUS	Sn Plated	—
①	KNOB	—	1	NYLON	Black	—

APPROVALS		DATE	REMARK	
DRAWN	xu qi feng	2014.11.07	ELECTRONICS CO.,LTD	

CHECKED	TITLE: TOGGLE SWITCHES	
APPROVALS	PART NO.	K3-1295S-E1
TOLERANCES ARE	UNIT: mm	SCALE: 1:1
30~0.125 ±0.30	ANGLE	PROJ:
10~30 ±0.20	±2°	SHEET 1 OF 1
5~10 ±0.15	DRAWING NO.	
~5 ±0.10		

ECN NO.	REV.	DATE.	DESCRIPTION.	CHANGE.	CHECK.	APPRO.
	A		NEW			