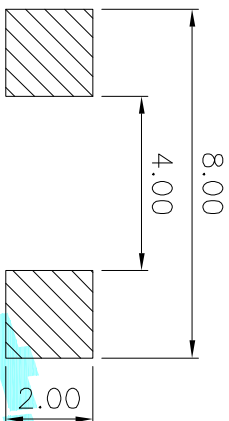
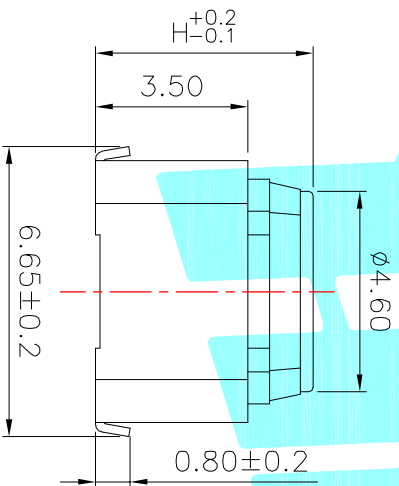
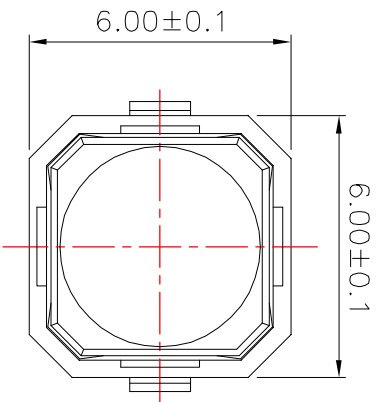
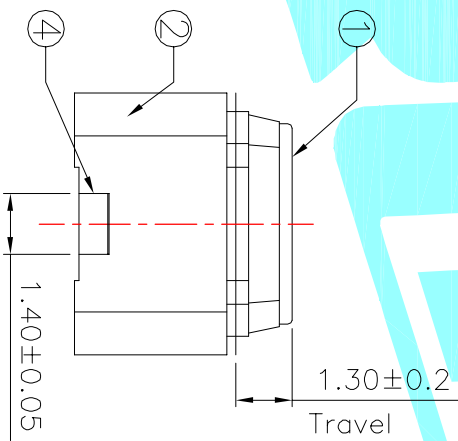


Typical Specifications :

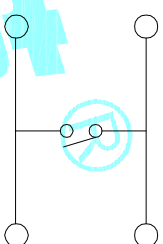
1. Rating : DC 12V 50mA
2. Life:100,000 Cycles Min.



PCB Layout (Pattern side)



Circuit Diagram



NO.1	
PART NO	H
A	4.3
C	5

NO.5-NO.6	
PART NO	NOTE
01~99	SERIAL NUMBER

NO.2	
PART NO	vigor
3	180±30
4	250±30
5	350±50

ITEM	PART NAME	TER'NO.	QTY.	MATERIAL	FINISHING	REMARK
⑤	Waterproof Silicone	---	1	Silica gel	---	---
④	Terminal	---	2	Phosphor Bronze Plating silver	---	---
③	Contact	---	1	Phosphor Bronze Ag Clad	---	---
②	Base	---	1	LCP	Black	---
①	Keystoke	---	1	LCP	Black	---

APPROVALS		DATE
DRAWN	xu qi feng	2014.11.06

CHECKED		TITLE:	
APPROVALS		TACT SWITCHS	
TOLERANCES ARE		PART NO.	K2-1817UQ-□□□□
30~12.5	±0.30	SCALE:	1:1
10~30	±0.20	UNIT:	mm
5~10	±0.15	DRAWING NO.	---
~5	±0.10	SHEET	1 OF 1

ECN NO.	REV.	DATE.	DESCRIPTION.	CHANGE.	CHECK.	APPRO.
---	A	---	NEW	---	---	---



ELECTRONICS CO.,LTD