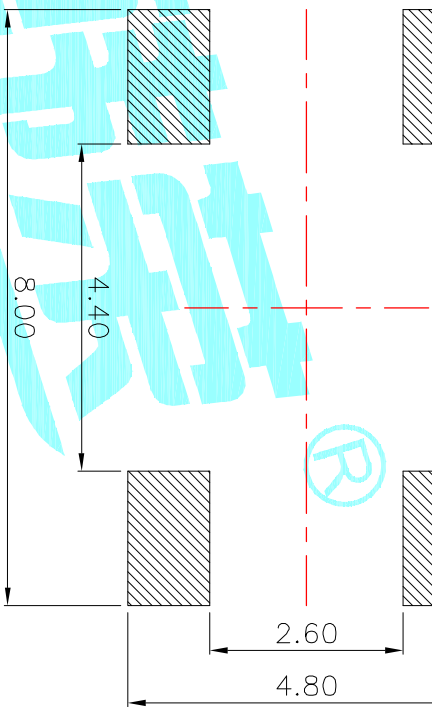
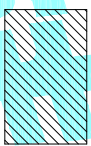
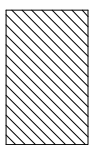
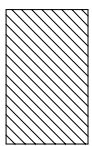
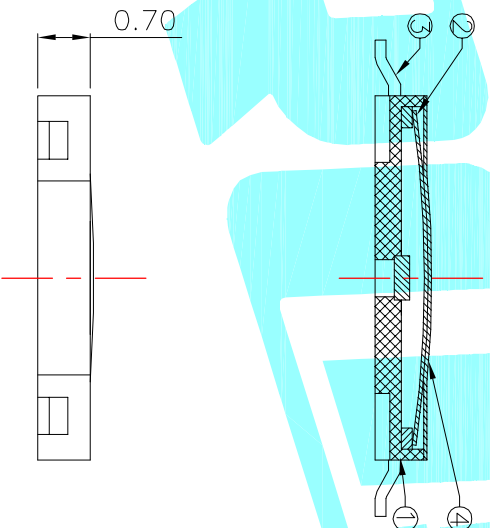
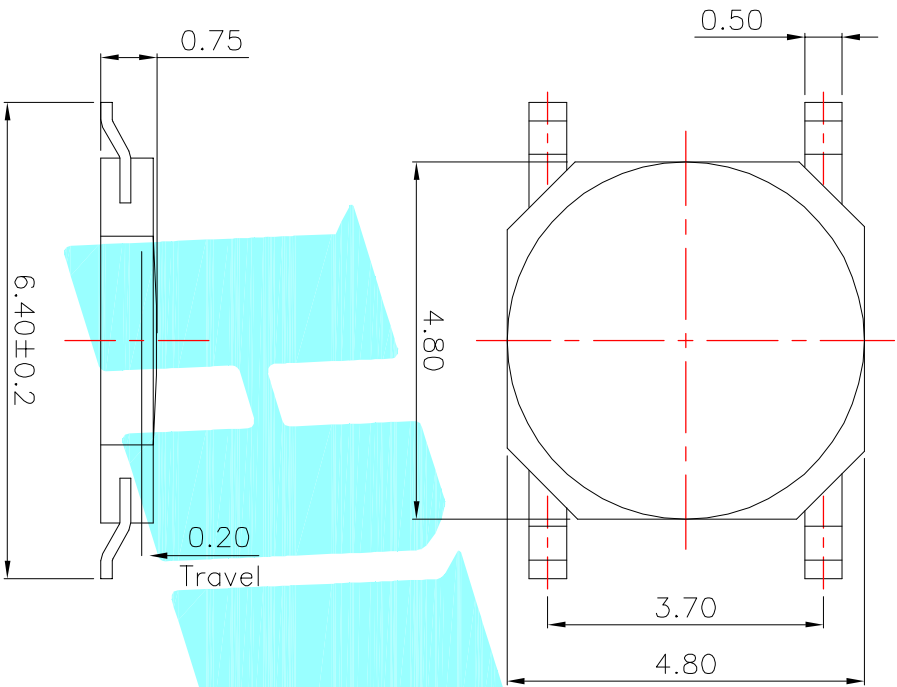




Circuit Diagram



PCB Layout (Pattern side)

NO.1	
PART NO	vigor
1	90±30
2	130±30
3	180±30
4	250±30
5	350±50

NO.2-NO.3	
PART NO	NOTE
01~99	SERIAL NUMBER

ITEM	PART NAME	TER'NO.	QTY.	MATERIAL	FINISHING	REMARK
④	Dust Cover	—	1	Kapton Film	Yellow	—
③	Terminal	—	4	Phosphor Bronze	Plating silver	—
②	Contact	—	1	F.Ag/SUS	Natural	—
①	Base	—	1	Nylon	Black	—

APPROVALS		DATE	TITLE:
DRAWN	JKUN.LU	2013/8/29	TACT SWITCHS
CHECKED			
APPROVALS			
TOLERANCES ARE			
30~12.5	±0.30	ANGLE	
10~30	±0.20	UNIT: mm	
5~10	±0.15	SCALE: 1:1	
~5	±0.10	DRAWING NO.	

ECN NO.	REV.	DATE.	DESCRIPTION.	CHANGE.	CHECK.	APPRO.
	A		NEW			



ELECTRONICS CO.,LTD

TACT SWITCHS

PART NO. K2-1187SN-A0SW-00

SCALE: 1:1

PROJ. SHEET 1 OF 1