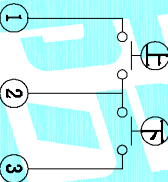
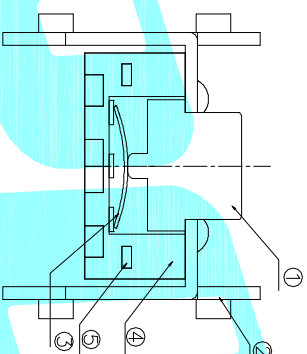
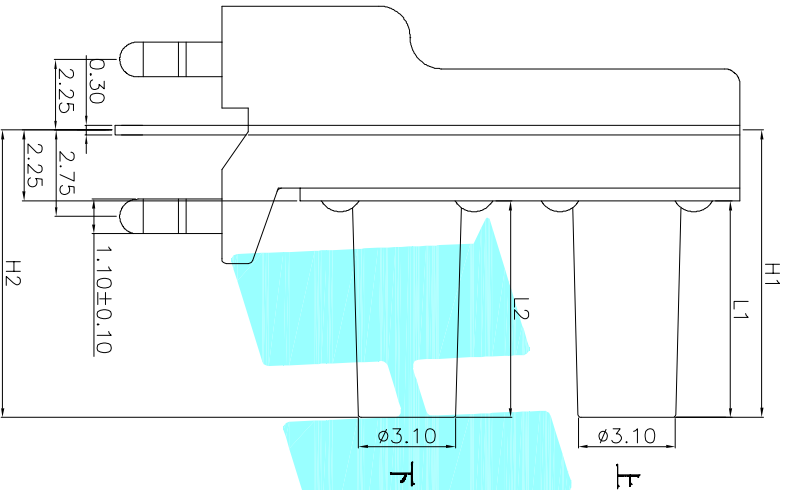
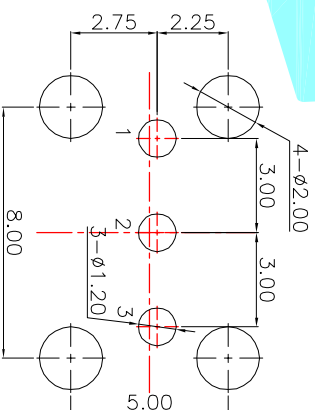


NO.1					
PART NO	L1	L2	H1	H2	
A: 双联上5下5	1.4	1.4	3.65	3.65	
B: 双联上5下10	1.4	6.4	3.65	8.65	
C: 双联上7下10.5	3.4	6.9	5.65	9.15	
D: 双联上10下5	6.4	1.4	8.65	3.65	
E: 双联上10下7	6.4	3.4	8.65	5.65	
F: 双联上10下10	6.4	6.4	8.65	8.65	
G: 双联上11.5下11.5	7.9	7.9	10.15	10.15	
M: 双联上11.5下17	7.9	13.4	10.15	15.65	
N: 双联上17下17	13.4	13.4	15.65	15.65	



Circuit diagram



PCB Layout(Pattern Side)

- Typical Specifications :
1. Rating : DC 12V 50mA
 2. Contact Resistance: 50mΩ Max
 3. Insulation Resistance: 100MΩ Min.
 4. Operation Stroke: 0.2±0.05mm
 5. Life:50,000 Cycles Min.

NO.2		
PART NO	MATERIAL	QTY
3	vigor	180±30
4		250±30

NO.3		
PART NO	MATERIAL	QTY
S	SUS/1PC	
C	CS210/1PC	

NO.4-NO.5		
PART NO	NOTE	SERIAL NUMBER
01~99		

⑤	Terminal	—	3	Brass(Q.301)	Plating silver	
④	Base	—	1	PPA	Black	
③	Contact	—	2	Phosphor Bronze	F.Ag	
②	Cover	—	1	SPCC	Plating Ni	
①	Keystroke	—	2	PPA	Black	
ITEM	PART NAME	TER'NO.	QTY.	MATERIAL	FINISHING	REMARK



DRAWN JKUNLU 2016/6/24
 TITLE: TACT SWITCHS
 ELECTRONICS CO.,LTD

ECN NO.	REV	DATE.	DESCRIPTION.	CHANGE.	CHECK.	APPRO.
	A		NEW			
TOLERANCES ARE 30~12.5 ±0.30 ANGLE 10~30 ±0.20 UNIT: mm 5~10 ±0.15 SCALE: 1:1 ~5 ±0.10 ±2° DRAWING NO. SHEET 1 OF 1						