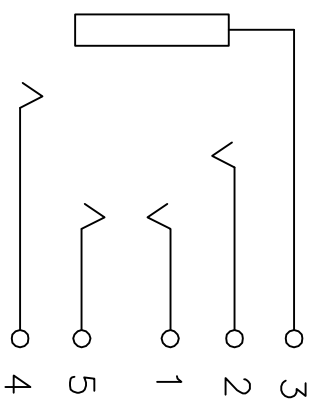
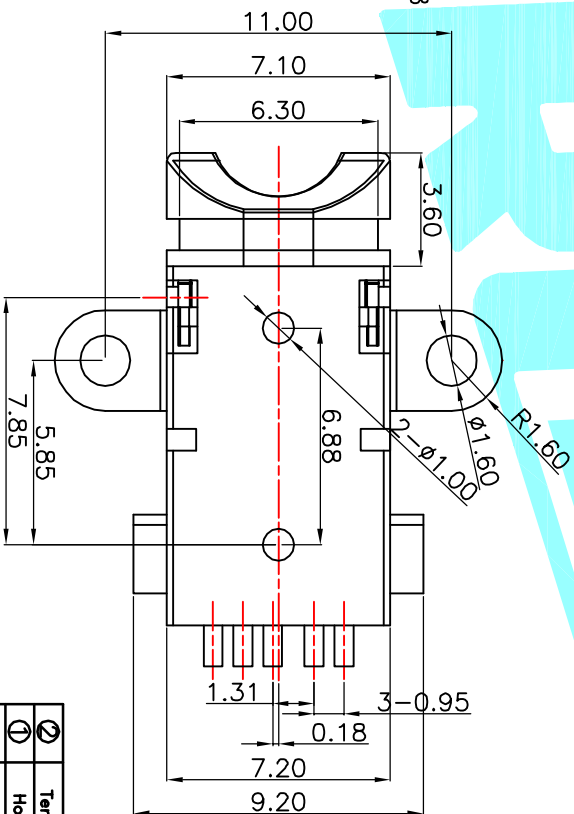
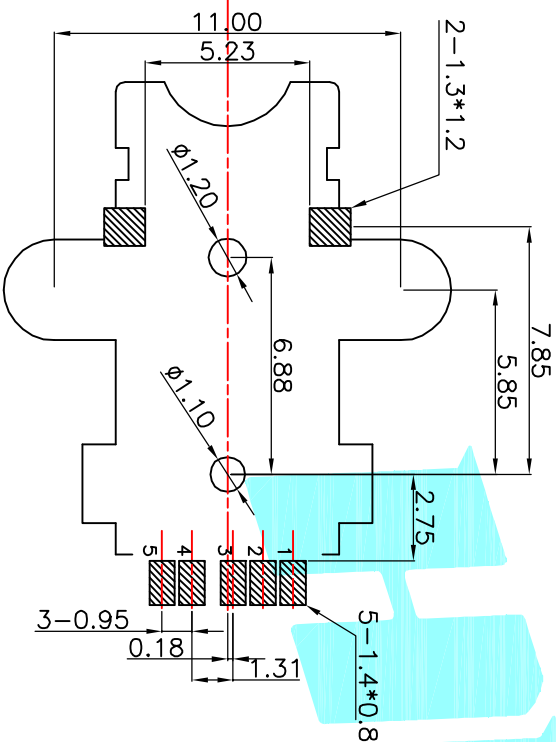
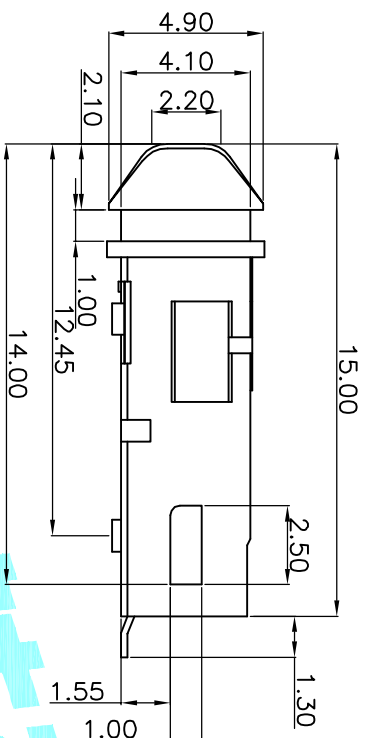
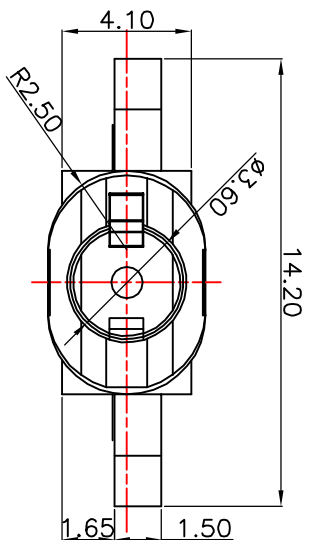


# Water Resistance: IP-X7

Rating: 0.5A 30V DC  
 Contact Resistance: 100 mΩ Max.  
 Operating temperature: -20°C ~ 70°C  
 Operating force: 3-20N  
 Operating Life: 5,000 cycles



CIRCUIT DIAGRAM

P.C.B Layout

ECN NO.	REV.	DATE.	DESCRIPTION.	CHANGE.	CHECK.	APPRO.																												
	A		NEW																															
<table border="1"> <tr> <td>DRAWN</td> <td>xu qi feng</td> <td>DATE</td> <td>2014.11.26</td> </tr> <tr> <td>CHECKED</td> <td></td> <td>TITLE</td> <td>PHONE JACKS</td> </tr> <tr> <td>APPROVALS</td> <td></td> <td>PART NO.</td> <td>PJ-608</td> </tr> <tr> <td colspan="4">ELECTRONICS CO.,LTD</td> </tr> </table>							DRAWN	xu qi feng	DATE	2014.11.26	CHECKED		TITLE	PHONE JACKS	APPROVALS		PART NO.	PJ-608	ELECTRONICS CO.,LTD															
DRAWN	xu qi feng	DATE	2014.11.26																															
CHECKED		TITLE	PHONE JACKS																															
APPROVALS		PART NO.	PJ-608																															
ELECTRONICS CO.,LTD																																		
<table border="1"> <tr> <th>ITEM</th> <th>PART NAME</th> <th>TER'NO.</th> <th>QTY.</th> <th>MATERIAL</th> <th>FINISHING</th> <th>REMARK</th> </tr> <tr> <td>②</td> <td>Terminal</td> <td></td> <td>5</td> <td>Phosphor bronze</td> <td>Au Plating</td> <td></td> </tr> <tr> <td>①</td> <td>Housing</td> <td></td> <td>1</td> <td>Nylon</td> <td>Black</td> <td></td> </tr> </table>							ITEM	PART NAME	TER'NO.	QTY.	MATERIAL	FINISHING	REMARK	②	Terminal		5	Phosphor bronze	Au Plating		①	Housing		1	Nylon	Black								
ITEM	PART NAME	TER'NO.	QTY.	MATERIAL	FINISHING	REMARK																												
②	Terminal		5	Phosphor bronze	Au Plating																													
①	Housing		1	Nylon	Black																													
<table border="1"> <tr> <th>APPROVALS</th> <th>DATE</th> </tr> <tr> <td></td> <td></td> </tr> </table>							APPROVALS	DATE																										
APPROVALS	DATE																																	
<table border="1"> <tr> <th>TOLERANCES ARE</th> <th>30~100</th> <th>±0.30</th> <th>ANGLE</th> <th>PART NO.</th> <th>SCALE: 1:1</th> <th>PROJ.</th> </tr> <tr> <td></td> <td>10~30</td> <td>±0.20 <td></td> <td></td> <td></td> <td></td> </td></tr> <tr> <td></td> <td>5~10</td> <td>±0.15</td> <td>±2'</td> <td></td> <td></td> <td></td> </tr> <tr> <td></td> <td>~5</td> <td>±0.10</td> <td></td> <td></td> <td></td> <td></td> </tr> </table>							TOLERANCES ARE	30~100	±0.30	ANGLE	PART NO.	SCALE: 1:1	PROJ.		10~30	±0.20 <td></td> <td></td> <td></td> <td></td>						5~10	±0.15	±2'					~5	±0.10				
TOLERANCES ARE	30~100	±0.30	ANGLE	PART NO.	SCALE: 1:1	PROJ.																												
	10~30	±0.20 <td></td> <td></td> <td></td> <td></td>																																
	5~10	±0.15	±2'																															
	~5	±0.10																																
<table border="1"> <tr> <th>DRAWING NO.</th> <th>SHEET</th> </tr> <tr> <td></td> <td>1 OF 1</td> </tr> </table>							DRAWING NO.	SHEET		1 OF 1																								
DRAWING NO.	SHEET																																	
	1 OF 1																																	