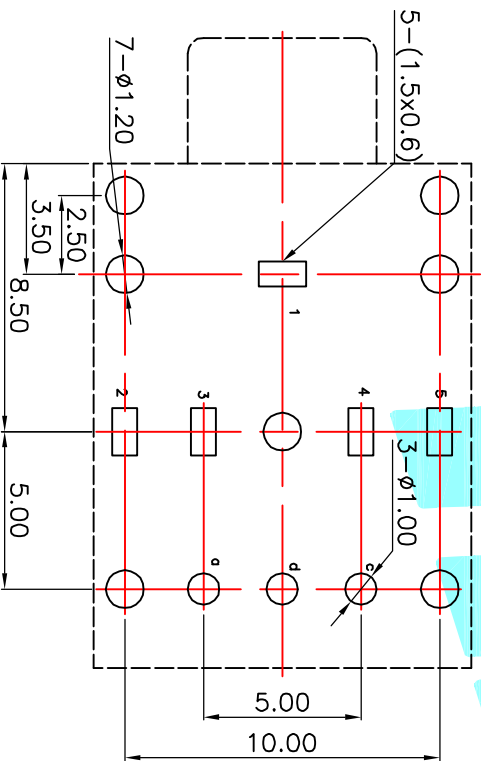


P.C.B Layout (copper-sided view)



Rating:0.5A 30V DC
 Contact Resistance:100 mΩ Max.
 Operating temperature:-20℃~70℃
 Operating force:3-20N
 Operating Life:5,000cycles

P/N	PJ-3123-A	PJ-3123-B
	PJ-3123A-A	PJ-3123A-B
Schematic		
P/N	PJ-3123A-C	PJ-3123A-D
Schematic		

ECN NO.	REV.	DATE.	DESCRIPTION.	CHANGE.	CHECK.	APPRO.																																																																							
	A		NEW																																																																										
<table border="1"> <tr> <td>② Terminal</td> <td>8</td> <td>Phosphor bronze</td> <td>Au Plating</td> </tr> <tr> <td>① Housing</td> <td>1</td> <td>Nylon</td> <td>Black</td> </tr> <tr> <td>ITEM</td> <td>PART NAME</td> <td>TER'NO.</td> <td>QTY.</td> <td>MATERIAL</td> <td>FINISHING</td> <td>REMARK</td> </tr> <tr> <td colspan="2">APPROVALS</td> <td colspan="2">DATE</td> <td colspan="3"></td> </tr> <tr> <td colspan="2">DRAWN</td> <td colspan="2">J.X.Zhang</td> <td colspan="3">2013/11/11</td> </tr> <tr> <td colspan="2">CHECKED</td> <td colspan="2"></td> <td colspan="3">TITLE: PHONE JACKES</td> </tr> <tr> <td colspan="2">APPROVALS</td> <td colspan="2"></td> <td colspan="3">PART NO. PJ-3123</td> </tr> <tr> <td colspan="2">TOLERANCES ARE</td> <td colspan="2">30~0.15</td> <td colspan="2">±0.30</td> <td>ANGLE</td> </tr> <tr> <td colspan="2"></td> <td colspan="2">10~0.30</td> <td colspan="2">±0.20</td> <td>UNIT: mm</td> </tr> <tr> <td colspan="2"></td> <td colspan="2">5~10</td> <td colspan="2">±0.15</td> <td>SCALE: 1:1</td> </tr> <tr> <td colspan="2"></td> <td colspan="2">~5</td> <td colspan="2">±0.10</td> <td>PROJ. SHEET 1 OF 1</td> </tr> </table>							② Terminal	8	Phosphor bronze	Au Plating	① Housing	1	Nylon	Black	ITEM	PART NAME	TER'NO.	QTY.	MATERIAL	FINISHING	REMARK	APPROVALS		DATE					DRAWN		J.X.Zhang		2013/11/11			CHECKED				TITLE: PHONE JACKES			APPROVALS				PART NO. PJ-3123			TOLERANCES ARE		30~0.15		±0.30		ANGLE			10~0.30		±0.20		UNIT: mm			5~10		±0.15		SCALE: 1:1			~5		±0.10		PROJ. SHEET 1 OF 1
② Terminal	8	Phosphor bronze	Au Plating																																																																										
① Housing	1	Nylon	Black																																																																										
ITEM	PART NAME	TER'NO.	QTY.	MATERIAL	FINISHING	REMARK																																																																							
APPROVALS		DATE																																																																											
DRAWN		J.X.Zhang		2013/11/11																																																																									
CHECKED				TITLE: PHONE JACKES																																																																									
APPROVALS				PART NO. PJ-3123																																																																									
TOLERANCES ARE		30~0.15		±0.30		ANGLE																																																																							
		10~0.30		±0.20		UNIT: mm																																																																							
		5~10		±0.15		SCALE: 1:1																																																																							
		~5		±0.10		PROJ. SHEET 1 OF 1																																																																							
<p>OKHRO ELECTRONICS CO.,LTD</p>																																																																													