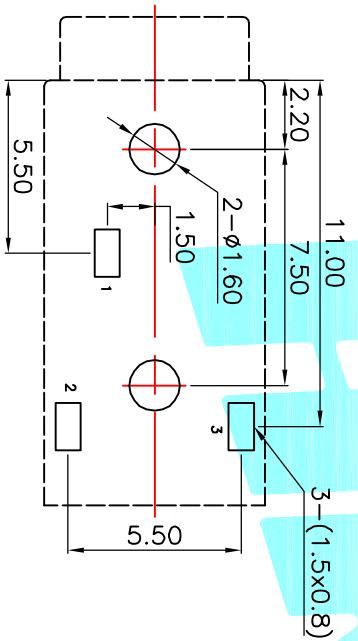


P.C.B Layout (copper-sided view)



Model NO	PJ-3132
Schematic	

Rating:0.5A 30V DC
 Contact Resistance:100 mΩ Max.
 Operating temperature:-20℃~70℃
 Operating force:3~20N
 Operating Life:5,000cycles

DRAWN		DATE		TITLE:	
J.X.Zhang		2013/11/11		PHONE JACKES	
CHECKED				PART NO.	
APPROVALS				PJ-3132	
TERMINALS ARE		ANGLE		SCALE: 1:1	
10~30		±0.20		PROJ. 1	
5~10		±0.15		SHEET 1 OF 1	
~5		±0.10			
②	Terminal		3	Phosphor bronze	Au Plating
①	Housing		1	Nylon	Black
ITEM	PART NAME	TER'NO.	QTY.	MATERIAL	FINISHING
APPROVALS		REMARK			
ELECTRONICS CO.,LTD					
ECN NO.	REV.	DATE.	DESCRIPTION.	CHANGE.	CHECK.
	A		NEW		